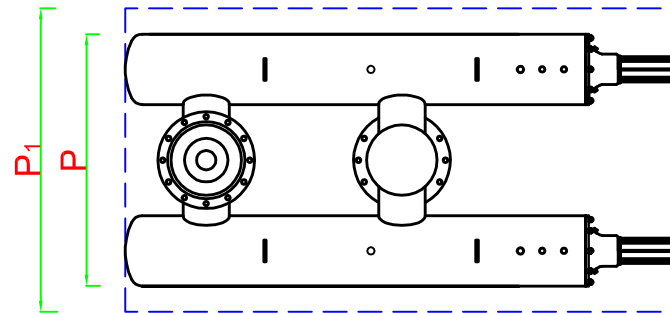
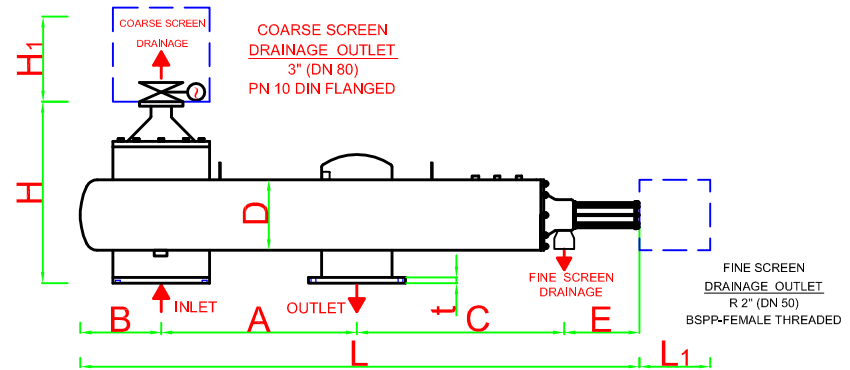
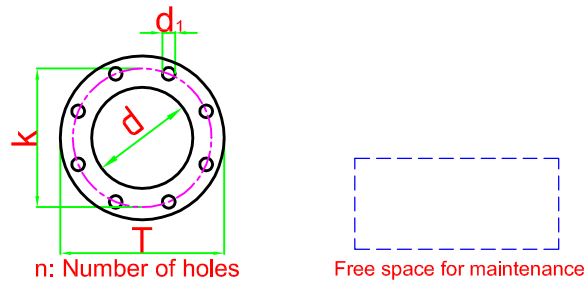


FILTERNOX KATAMARAN MODELS TECHNICAL SPECIFICATIONS



For high pressure, high temperature and different materials, custom made filters can be produced.

Body Material:	AISI 304L(316L optional)
Screen Material:	AISI 316L
Max. Operating Pressure:	10 bar
Min. Inlet Pressure Required During Back-Flush:	2 bar
Max. Operating Temperature:	60 °C
Headloss at Max. Flow Rate:	0.2 bar
Approximate Back-Flush Time:	40-60 sec. max.
Approximate Back-Flush Water Consumption:	300-400 lt/back-flush
Coarse Screen Back-Flush Outlet:	Automatic valve
Fine Screen Control System:	Electric
Coarse Screen Control System:	Timer

FILTER MODELS	INLET/OUTLET		FLANGE SIZES ND 10 - DIN 2576						A min.	L	L ₁	B	C	E	D	H	H ₁	P	P ₁	WEIGHT(kg)		MAX. FLOW RATE m ³ /h	SCREEN AREA cm ²
	inch	DN	d mm	T	k	d ₁	n	t												FULL	EMPTY		
KTW 210406	6	150	168.2	285	240	22	8	22	900	1955	1300	235	485	340	10"	695	865	1175	1975	585	230	200	9600
KTW 210606	6	150	168.2	285	240	22	8	22	900	2355	1700	235	885	340	10"	695	865	1175	1975	670	260	250	14400
KTW 210408	8	200	219.1	340	295	22	8	24	900	1985	1300	260	485	340	10"	680	865	1175	1975	600	240	320	9600
KTW 210608	8	200	219.1	340	295	22	8	24	900	2385	1700	260	885	340	10"	680	865	1175	1975	700	270	350	14400
KTW 212408	8	200	219.1	340	295	22	8	24	900	2010	1300	285	485	340	12"	680	865	1225	2025	630	260	380	9600
KTW 212608	8	200	219.1	340	295	22	8	24	900	2410	1700	285	885	340	12"	680	865	1225	2025	725	290	400	14400
KTW 212610	10	250	273.1	395	350	22	12	26	900	2460	1700	315	910	340	12"	705	835	1275	2075	745	300	500	14400
KTW 212612	12	300	323.9	445	400	22	12	26	900	2460	1700	315	910	340	12"	795	835	1325	2125	765	315	750	14400
KTW 212614	14	350	355.6	505	460	22	16	28	900	2515	1700	340	940	340	12"	825	800	1425	2225	800	345	1000	14400

All dimensions are in millimeters.

Antel-Filternox reserves the rights to modify any of the technical information in this document without prior notification.
All the rights for this drawing are belonging to ANTEL TREATMENT SYSTEM CONS.IND&COM.CO.INC.It can not be copied or given to the persons without permission.