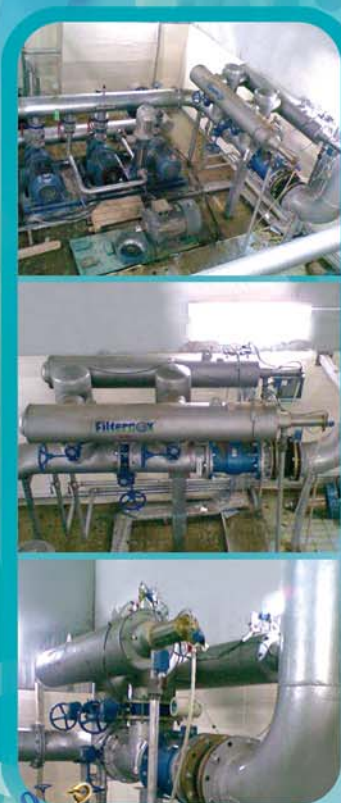
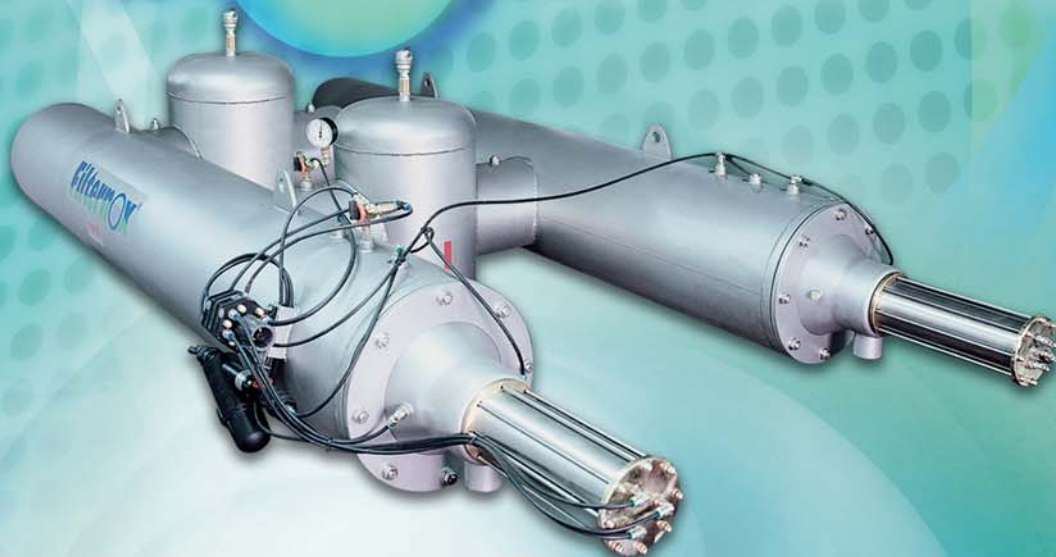


# Filternox®

AUTOMATIC SELF - CLEANING FILTER

## Models With Large Filtration Area

TWIN / TRIPLET



***Smallest space, larger filtration!***

**Filternox® TWIN and TRIPLET models have multiple fine screen modules with one inlet and outlet and they are ideal for high flow rates and high dirt loads.**

**Filternox® TWIN and TRIPLET models render possible the installation without need of collector on the big diameter pipelines.**

# TWIN / TRIPLET TWIN / TRIPLET

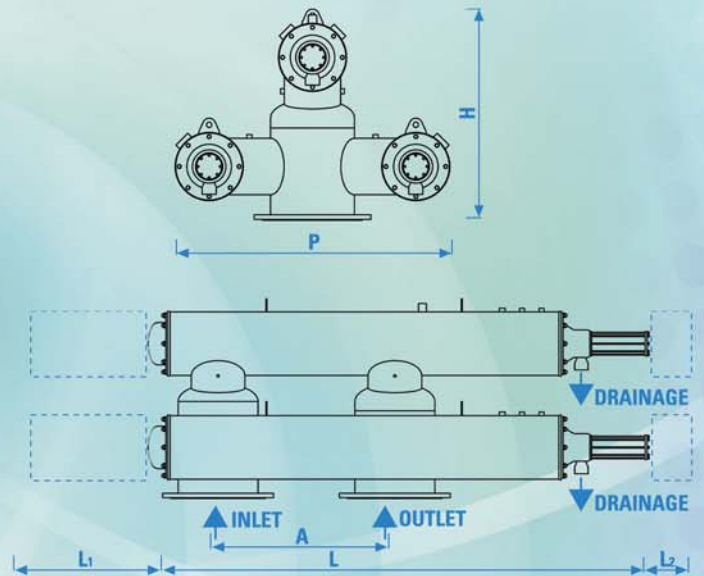
FINE SCREEN RANGE														
Micron	15	30	40	50	80	100	120	150	200	300	400	800	1500	3000

## General Technical Specifications

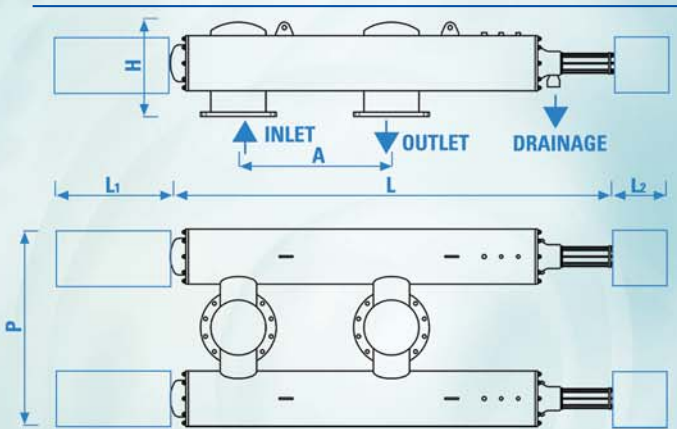
- Body Material : AISI 304 L (316 L optional)
- Screen Material : AISI 316 L
- Max. Operating Pressure : 10 bar
- Min. Inlet Pressure Required : 2 bar
- During Back-Flush : 2 bar
- Max. Operating Temperature : 60 °C
- Headloss at Max. Flow Rate : 0.2 bar
- Approximate Back-Flush Time : 40-80 sec. max.
- Approximate Back-Flush Water Consumption : 300-600 l/back-flush
- Control System : Hydraulic or Electric



## TRIPLET



## TWIN



For high pressure high temperature and different materials, custom made filters can be produced.

## Standard TWIN Models

MODEL	Diameters Inlet / Outlet		Max. Flow Rate (m³/h)	Surface Area (cm²)	A Min. (mm)	L (mm)	L1 (mm)	L2 (mm)	H (mm)	P (mm)	Weight (Kg)	
	(inch)	(DN)									Full	Empty
PTW 210406	6	150	200	9600	900	1970	1300	500	430	1025	510	210
PTW 210606	6	150	250	14400	900	2450	1700	500	430	1025	615	240
PTW 210408	8	200	320	9600	900	2055	1300	500	490	1075	525	220
PTW 210608	8	200	350	14400	900	2445	1700	500	490	1075	630	250
PTW 212408	8	200	380	9600	900	2055	1300	500	515	1125	580	250
PTW 212608	8	200	400	14400	900	2585	1700	500	515	1125	675	280
PTW 212610	10	250	500	14400	900	2585	1700	500	540	1175	695	290
PTW 212612	12	300	750	14400	900	2585	1700	500	550	1225	710	300
PTW 212614	14	350	1000	14400	900	2585	1700	500	610	1325	750	330

## Standard TRIPLET Models

MODEL	Diameters Inlet / Outlet		Max. Flow Rate (m³/h)	Surface Area (cm²)	A Min. (mm)	L (mm)	L1 (mm)	L2 (mm)	H (mm)	P (mm)	Weight (Kg)	
	(inch)	(DN)									Full	Empty
PTR 310608	8	200	420	21600	900	2450	1700	500	900	1025	835	350
PTR 310610	10	250	750	21600	900	2585	1700	500	1000	1025	865	370
PTR 312612	12	300	1000	21600	900	2450	1700	500	1020	1125	995	425
PTR 312614	14	350	1250	21600	900	2585	1700	500	1020	1125	1020	440
PTR 312616	16	400	1500	21600	900	2585	1700	500	1025	1175	1075	480

Antel-Filternox® reserves the rights to modify any of the technical information in this document without prior notification.